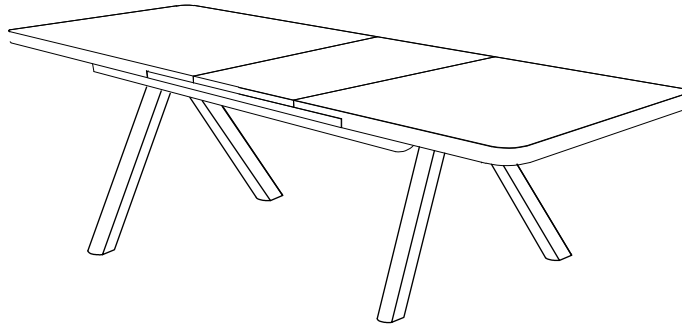


# Harbour Outdoor Dining – Extension Table

## Assembly Instructions



**IMPORTANT:** Please read these assembly instructions carefully before beginning assembly. Retain for future reference. **CAUTION:** This product is heavy. Assemble with the assistance of another adult. Do not assemble in the presence of children.

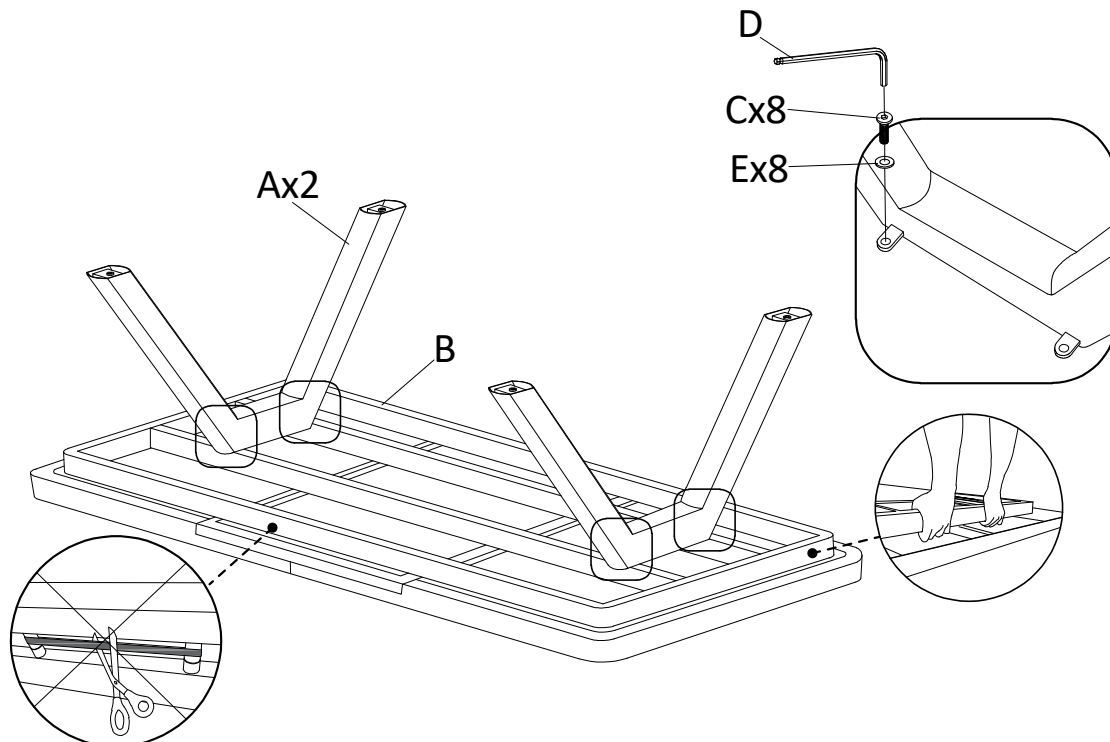


A (x2)	B (x1)	C (x8)	D (x4)	E (x8)

**Insert all bolts and loosely finger tighten first. Once all bolts are in place, re-visit each bolt and fully tighten with the provided tool(s). Do not fully tighten bolts one by one.**

- PLEASE SEPARATE AND IDENTIFY ALL PARTS, MAKING SURE THAT YOU HAVE ALL OF THE PARTS LISTED.
- TO AVOID ANY SCRATCHES DURING ASSEMBLY, PLEASE ASSEMBLE ON A SOFT MAT OR SIMILAR.
- PLEASE ASSEMBLE STEP BY STEP AND FOLLOW THE INSTRUCTIONS.
- WASHERS MUST BE USED WHERE SUPPLIED.
- WHILE EACH BOLT AND NUT IS PROPERLY FASTENED, DO NOT OVER FASTEN IT.
- DO NOT COMPLETELY FASTEN EACH BOLT AND NUT UNTIL ALL THE BOLTS ARE PROPERLY FIXED.

**1.** Using two people, carefully turn the table top (B) over on a soft floor surface. Assemble the table legs (A) to the underside of the table top using the bolts (C) and washers (E). When handling the table top, you can grab from the large tubing on the frame – highlighted in the bottom right inset image. At this stage, **do not cut the straps** on the table top mechanism.



**DO NOT cut straps**

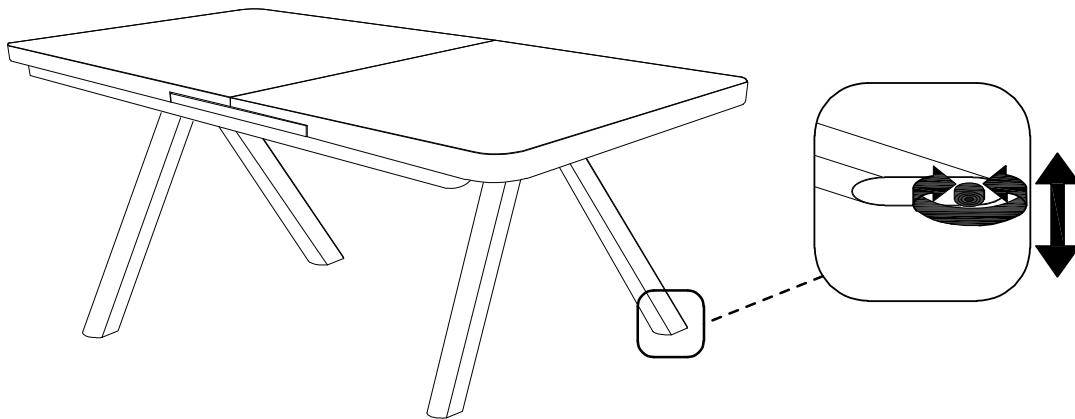
(continued next page)

## Harbour Outdoor Dining – Extension Table

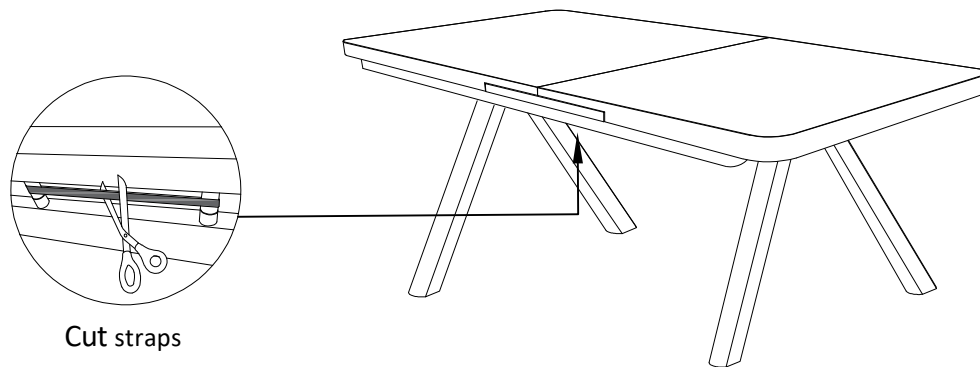


### Assembly Instructions

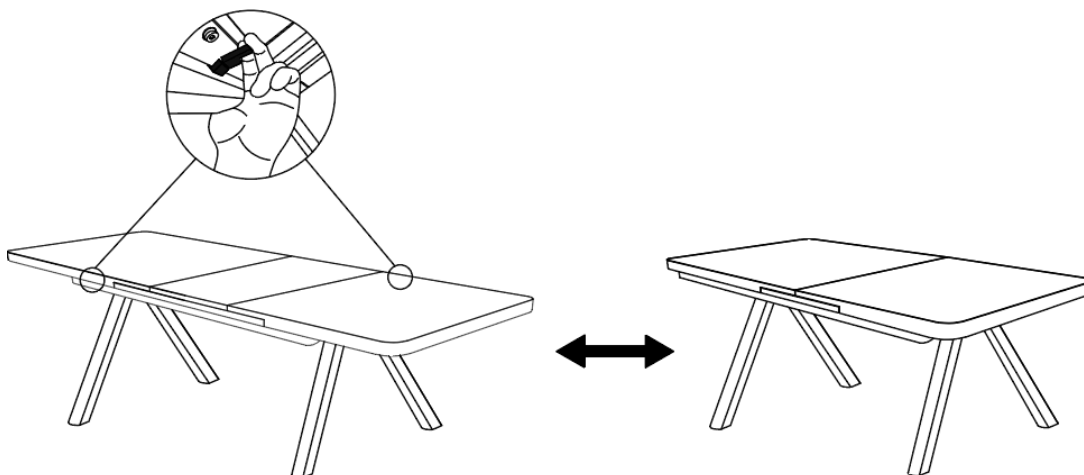
2. Once the legs are attached; using two or more adults, carefully turn the table right way up and lift into position (do not drag the table). The legs each have an adjustment foot at the bottom for levelling the table in case of non-level flooring.



3. The straps can now be cut to allow free movement of the extension mechanism



4. To extend the table, have one adult at each end of the table gently pull the table top away from one another until the extension middle section raises and clicks into place. To compact the table back down, release the tabs at either end of the underside of the table and gently press the table ends back toward the middle.



For care and maintenance tips please visit: [synargy.com/product-care](https://www.synargy.com/product-care)